

**Product : Evolo**

**Company : Kaba Security Pte Ltd**

**Booth No : G11**

Kaba evolo is the new stand alone electronic access control solution by Kaba that offers users the latest in technology, flexibility and future security. The wireless connection is Mifare compatible allowing for integration with many security systems. Not only is it possible to expand mechanical key systems without any problems, seamless migration into superior online access systems is also possible at any time.

#### **Kaba evolo – forward-looking and inte-gratable**

Kaba evolo is the new product line of Kaba standalone access systems and the result of the systematic approach towards flexibility and security in the future. Kaba's innovation is modular and takes security and assignment of access privileges to a new level: Kaba evolo expands as required. Access authorisations or enhancements can be updated simply whenever organisational changes take place. All Kaba evolo elements can be integrated easily into existing mechanical and higher-level systems, such as online access control, passenger access systems or time recording systems.

#### **Digital and convenient**

Kaba evolo is a wide-ranging access system that is flexible and easy to manage. The individual access media can be configured directly from your workplace. It also possible to provide access privileges to the user at terminals within the site. Any subsequent or additional modifications can be carried out manually at any time directly at the doors using the programming media. This gives you complete flexibility and independence.

#### **Intuitive operation**

Access rights can be modified easily by applying the user-friendly Kaba evolo programming concept. The programming concept can be chosen by the user: in small to mid-sized systems, access media can be programmed and deleted directly at the door. PC-based authorisation management is recommended for complex locking systems with a large number of access media

## **The right product for every and any door or passenger access solution configuration**

#### **Kaba c-lever**

Kaba c-lever is compatible with practically all standardised commercial mortise door locks. Kaba c-lever can also be used on panic doors or hollow profiled doors.

**Kaba c-lever compact.** This concept allows quick installation of the door furniture independent of the cylinder and the mortise door lock - even on glass doors.

#### **Kaba digital cylinder**

Powerful, energy-efficient electronics detect the RFID access media very quickly, check the authorisation and allow the doors to open. The modular construction makes installation very simple.

#### **Kaba reader**

The visual and acoustic signal indicates that the badge holder has been granted access. Lock devices, such as door openers, motor locks, barriers or automatic doors, can be operated using the Kaba reader.

#### **Kaba terminal**

You simply change access data on the central PC using the KEM software and the badge holder picks up the updated authorisations at the Kaba terminal at any time (e.g. in the lobby). New authorisations are issued efficiently and save time as the doors concerned do not need to be reprogrammed.

#### **Kaba desktop reader**

Access media for new employees can be programmed easily using the desktop reader. Simply connect the USB-plug and get started.

#### **Kaba programming device**

The programming device communicates wirelessly with the door components. Data can be imported and exported.

#### **KEM management software**

Users, media and door components are managed using KEM software. An audit trail can be issued to obtain an overview of all access and system events.



**Product : Evolo**

**Company : Kaba Security Pte Ltd**

**Booth No : G11**

Kaba evolo is the consequent further development in flexibility and future security. The wireless connection and scalability of various components of Kaba evolo is remarkable. It is not only possible to expand mechanical key systems without any problems, seamless migration into superior online access systems is also possible at any time.

#### **Flexibility in organisation**

Modern life is marked by rapid changes and dynamic developments: Business segments expand, teams grow, departments split, people move into new offices and buildings. This happens from one day to the next and is often unpredictable. In such cases, this must be handled without any risk, efficiently and without restrictions. Kaba has recognised this requirement and developed an access system that provides reliable and expandable protection – in any situation.

#### **The advantages of Kaba evolo**

- Convenient and reliable security without any risks - even if the access medium has been lost
- Sophisticated electronics allow for different systems ranging from standalone locking systems to multiple site access control systems
- Versatility - the right product for any door configuration
- Scalability or integration into higher-level systems ensures the long-term security of your investment
- Existing mechanical locking systems can be updated and upgraded easily

#### **Everything under control with just one program**

- Configuration of authorisations
- Management of media
- Management of the system and users
- Evaluation of event data

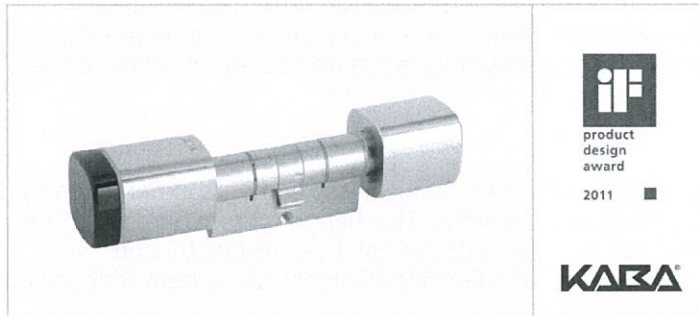
#### **Built-in integration capability**

All Kaba evolo elements can be seamlessly integrated into existing software environments using Kaba CardLink. Whether an online access control system or a time recording system – enhancements can be made without any additional wiring.

Product : Evolo

Company : Kaba Security Pte Ltd

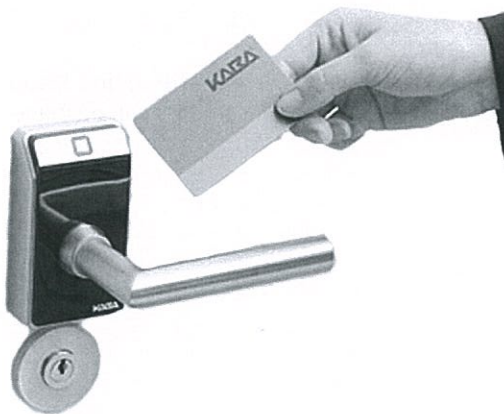
Booth No : G11



Evolo Digital Cylinder



Evolo Reader



Evolo C Compact



Evolo B-web Terminal



**Evolo Desktop Reader**



**Evolo Programmer**

